

- Digital contact gauge
- 3-digit 14 mm LED display
- 1 or 2 contact outputs DC PNP
- Analog output: 0(4)...20 mA, 0...10 V
- 80 mm stainless steel bayonet lock case
- Pressure/compound ranges 25 mbar to 250 bar
- Dry ceramic sensor
- Programmable with 3 push buttons

Available with all standard process connections, hence also suitable for applications in food, beverage and pharmaceutical industries.



## Digital-Contact-Gauge PM 82

### Specifications (20°C):

Pressure ranges:	0...25 mbar to 0...250 bar compound from -20...+20 mbar
Analog output:	0(4)...20 mA, 0...10 V
Contact output:	DC PNP, max. 50 mA
Global error:	< 0,5% F.S.
Response time:	200 ms (others on request)
Power supply:	19...30V DC
Ambient temperature:	0...70 °C
Fluid temperature:	-25...100 °C (125 °C < 0,5h)
Temperature coef.:	< 0,02%/K (zero) < 0,02%/K (span)
Long term drift:	< 0,2% p. a.
Bayonet lock case:	stainless steel, 1.4301, IP 65
Process connection:	see table
Sensor:	ceramic AL <sub>2</sub> O <sub>3</sub>
Electric connection:	M12, 4 or 5 pin connector
Adjustable parameters:	switch set-point, 1...100% of F.S. deadband, 0...99% switch delay, 0...9,9 s switch function NO/NC password zero re-set

## Pressure Ranges

pressure ranges	gauge pressure	permissible overload (bar)
0...25 mbar	A7	- 0,3 / 4
0...40 mbar	A8	- 0,3 / 4
0...50 mbar	B0	- 0,3 / 4
0...60 mbar	A9	- 0,3 / 4
0...100 mbar	00	- 0,3 / 4
0...160 mbar	01	- 0,6 / 5
0...200 mbar	B1	- 1 / 6
0...250 mbar	02	- 1 / 6
0...400 mbar	03	- 1 / 6
0...500 mbar	B7	- 1 / 3
0...600 mbar	04	- 1 / 3
0...1 bar	05	- 1 / 3
0...1,6 bar	06	- 1 / 4
0...2 bar	B3	- 1 / 6
0...2,5 bar	07	- 1 / 6
0...4 bar	08	- 1 / 10
0...5 bar	F1	- 1 / 15
0...6 bar	09	- 1 / 15
0...10 bar	10	- 1 / 25
0...16 bar	11	- 1 / 40
0...20 bar	B5	- 1 / 60
0...25 bar	12	- 1 / 60
0...40 bar	13	- 1 / 100
0...50 bar	F3	- 1 / 150
0...60 bar	14	- 1 / 150
0...100 bar	15	- 1 / 175
0...160 bar	16	- 1 / 280
0...250 bar	17	- 1 / 400
- 20... 20 mbar	C2	- 0,3 / 4
-100...100 mbar	C5	- 1 / 6
-1...1 bar	D6	- 1 / 4
-1...1,5 bar	D7	- 1 / 4
-1...3 bar	D8	- 1 / 10
-1...5 bar	D9	- 1 / 15
-1...9 bar	E1	- 1 / 25

## Codification

### Analog output signal

- 0 without
- 1 0...10 Vdc 3- wire (on request)
- 2 0...20 mA 3-wire
- 3 4...20 mA 3-wire

### Contact output

- 1 single
- 2 double

### Pressure Range

- see table
- 99 non standard (on request)

### Hydraulic connection and materials

- 3 G ½ B DIN 16288 1.4404 (316L)
- F G 1A 1.4404 (316L)
- M Sanitary DIN 11851, DN 25, 1.4404 (316L)
- 6 Sanitary DIN 11851, DN 32, 1.4404 (316L)
- 7 Sanitary DIN 11851, DN 40, 1.4404 (316L)
- K Sanitary DIN 11851, DN 40 aseptic, 1.4404
- N DRD flange, DN 65, 1.4571 (316 Ti)
- J Varivent 50/40, 1.4571 (316 Ti)
- L Clamp 1", 1 ½", DN 25...40, 1.4404 (316L)
- W Clamp 2", DN 50, 1.4404 (316L)
- 9 non standard (on request)

### Sensor seal

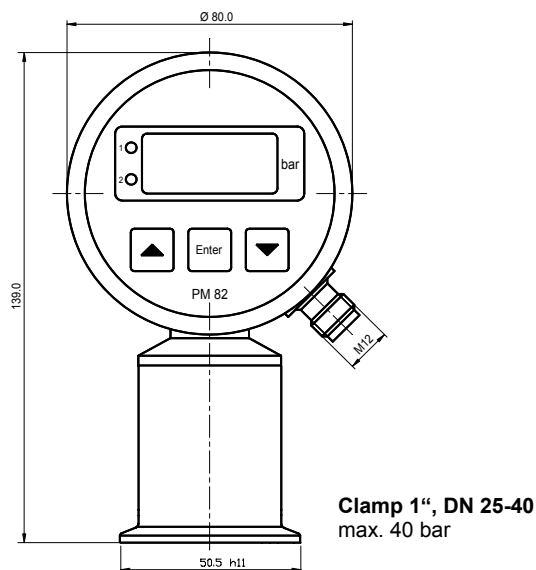
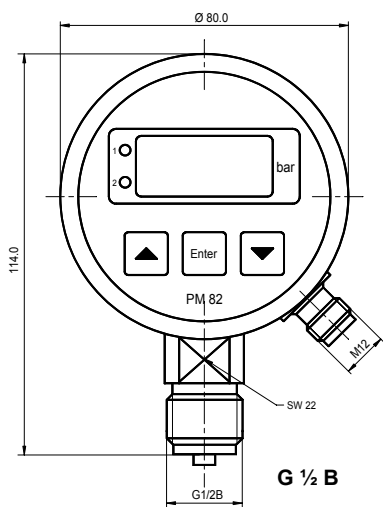
- 1 FPM (Viton) standard
- 2 NBR (Nitril)
- 3 EPDM
- 4 Fluor-Silicon-Rubber
- 5 Kalrez
- 9 other (on request)

### Options

- 0 none
- 1 display reduced to 2 digits

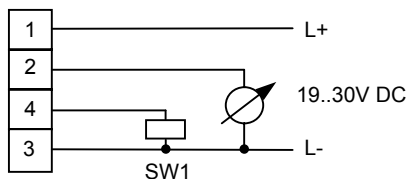
PM82 - [Diagram showing terminal block layout]

## Dimensions (mm)

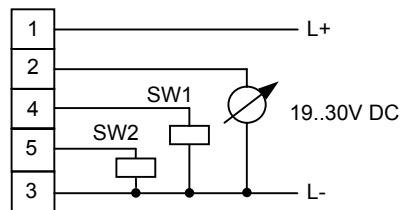


## Electric connection

### M 12 4 – pin (1 contact)



### M 12 5 – pin (2 contacts)



modifications reserved without prior notice 02.05