

- Dry ceramic sensing element
- Ranges from 1 bar up to 250 bar
- Global error < 0,5% FS
- Compact and rugged design
- For large variety of applications
- Multiple process connections
- Different electrical connections
- Analogoutput: 4...20 mA, 2-wire  
0...10 V DC, 3-wire



## Pressure Transmitter P 10

### Technical data:

Pressure range:	0...250 mbar up to 0...250 bar -1...0 up to 19 bar
Output signal:	4...20 mA, 2-wires 0...10 V, 3-wires
Global error:	< 0,5% F.S.
Response time:	200 ms (other on request)
Power supply:	9...30V DC, 20 mA Output 15...30V DC, 10V Output
Ambient Temperature:	-25...80 °C
Fluid Temperature:	-25...100 °C (125 °C < 0,5h)
Thermal drift:	< 0,02%/K zero < 0,02%/K sensitivity
Long term stability:	< 0,3% p. a.
Process connection:	Stainless steel 1.4404 (316L)
Housing:	Stainless steel 1.4404 (316L)
Sensor:	Ceramic AL <sub>2</sub> O <sub>3</sub>
Electr. Connection:	Connector DIN 43650, IP 67 Quickon-Connector, IP 67 Connector M12x1, IP67 Cable Connection, IP 68 (< 1 m H <sub>2</sub> O)

## Ranges

Range	Gauge	Overload (bar)
-1...0 bar	D4	7
-1...0,6 bar	D5	7
-1...1 bar	D6	7
-1...1,5 bar	D7	7
-1...3 bar	D8	12
-1...5 bar	D9	12
-1...9 bar	E1	25
-1...15 bar	E2	50
-1...19 bar	E3	50
0...250 mbar (*)	02	3
0...400 mbar (*)	03	3
0...500 mbar	B7	3
0...600 mbar	04	3
0...1 bar	05	7
0...1,6 bar	06	7
0...2 bar	B3	7
0...2,5 bar	07	12
0...4 bar	08	12
0...5 bar	F1	12
0...6 bar	09	25
0...10 bar	10	25
0...16 bar	11	50
0...20 bar	B5	50
0...25 bar	12	120
0...40 bar	13	120
0...50 bar	F3	120
0...60 bar	14	250
0...100 bar	15	250
0...160 bar	16	500
0...200 bar	F5	500
0...250 bar	17	600

(\*) accuracy 1% Absolute pressure on request

## Ordering code

### Output signal

- 1 0...10 V 3-wire (on request)
- 4 4...20 mA 2-wire
- 8 0...5 V 3-wire (on request)
- A 0,5...4,5 V 3-wire, ratio-metric

### Ranges

Measurement range-see table  
99 non-standard range (on request)

### Pressure connection and material

- D G 1/4 A DIN 3852 1.4404
- DN 1/4-18 NPT 1.4404
- 2 1/2-14 NPT 1.4404
- 3 G 1/2 B DIN 16288 1.4404
- G G 1/2 A u. 11,6 mm bore hohle 1.4404
- 9 others (on request)

### Sensor seal

- 1 FPM (Viton) Standard
- 2 NBR (Perbuan)
- 3 EPDM-Kautschuk
- 9 others (on request)

### Electrical connection

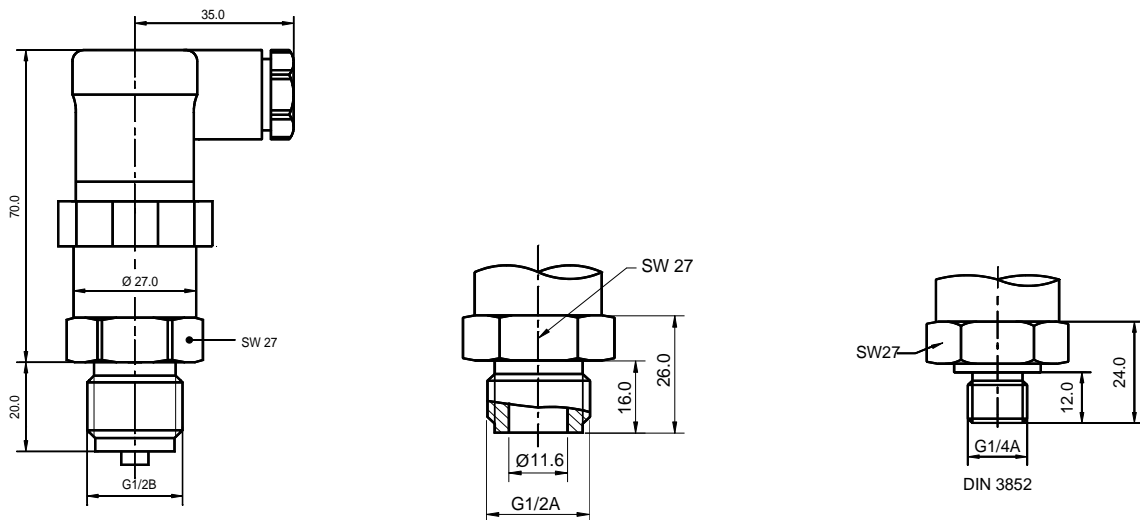
- 0 5m cable connection, IP 68
- 1 Connector DIN 43650
- 6 2m cable connection, IP 68
- A Connector M12x1
- F Quickon-Connector
- H 10m cable connection, IP 68
- 9 Special edition

### Option model

- 0 without pottet electronic
- 1 pottet electronic

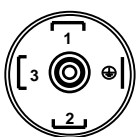


## Dimensions (mm)



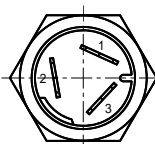
## Electrical connections

### DIN 43650 Connector



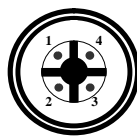
4...20 mA 2-wire  
PIN1 signal +  
PIN2 signal -  
  
0...10V 3-wire  
PIN1 in +  
PIN2 in -  
PIN3 out +

### Quickon-Connector



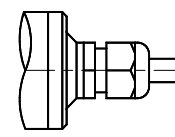
4...20 mA 2-wire  
PIN1 signal +  
PIN2 signal -  
  
0...10V 3-wire  
PIN1 in +  
PIN2 in -  
PIN3 out +

### M12x1, 4-pin Connector



4...20 mA 2-wire  
PIN1 signal +  
PIN3 signal -  
  
0...10V 3-wire  
PIN1 in +  
PIN3 in -  
PIN4 out +

### Cable connection



4...20 mA 2-wire  
red signal +  
black signal -  
  
0...10V 3-wires  
red in +  
black in -  
white out +